

DPV

Vane type separator



Munters DPV is a double pocket type vane type separator for service in high velocity and high liquid removal applications.

It is part of Munters series of high performance vane type separators (DH5000 and DPV) with elevated K-values.

Specially designed drain channels collect the liquid which flows away under the influence of gravity. So-called double pocket vane type separators drain the captured liquid inside separate making it impossible for the liquid to escape.

The requirements of specific applications can be achieved through different configurations. The DPV is available as a vane type separator with 6 or 8 passes.

Typical applications

- Olefin plants
- Ammonia plants
- Natural gas processing plant
- Separation in pulsating gas flows

PRODUCT INFORMATION

DPV – double-pocket vane type separator

- **Cross Flow Drainage**

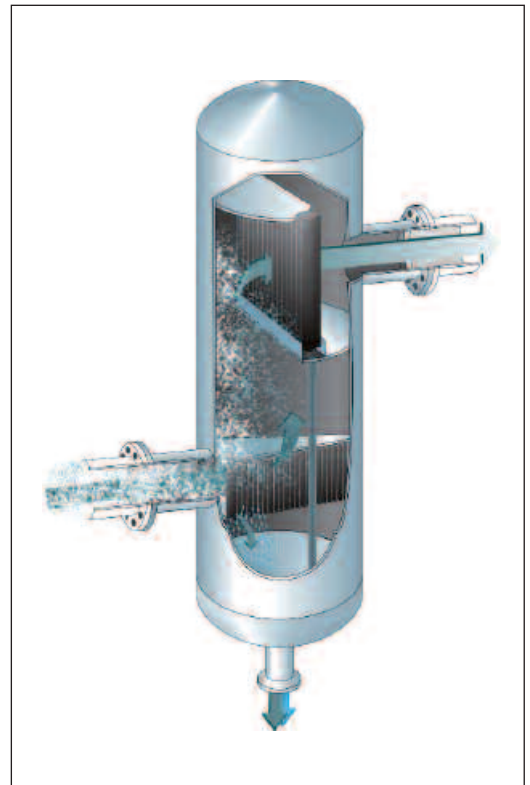
Collected liquid drains at 90° to the gas flow, to minimize re-entrainment and to allow higher operating velocities

- **High liquid load & High velocity**

DPV drains high amounts of liquid properly functions with greater overall efficiency at higher velocities

- **Durability**

The standard material for Munters' DPV high- mist eliminator vanes is stainless steel DIN1.4571 (316Ti). Special materials are available upon request. Housings and vessels can be made of stainless and carbon steel and various alloys.



Performance data

All technical performance data apply for a system air / water at 20 °C and 1 bar. The limit drop size represents a performance characteristic of the profile. At the relevant velocity and operating conditions, it is the size of the smallest droplet that is completely separated.

The pressure loss of a mist eliminator should be as low as possible, in order to ensure favourable operating costs.

The separation efficiency specifies how much liquid the mist eliminator removes from the gas flow. It is customary to specify a maximum permissible inlet load and a guaranteed level of residual liquid content downstream of the eliminators.

Materials

- Stainless steel alloys 304, 316Ti, 316L, 321; DIN 1.4301, DIN 1.4404, DIN 1.4541, DIN 1.4571
- Special material available upon request

Scope of supply

The DPV is available as

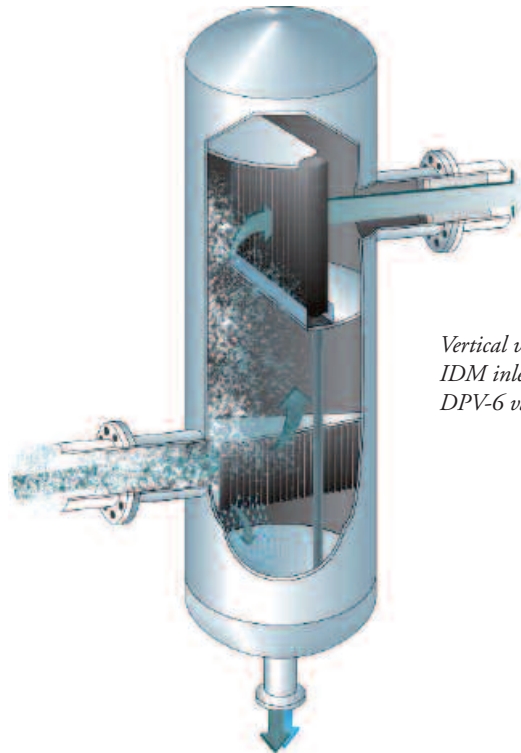
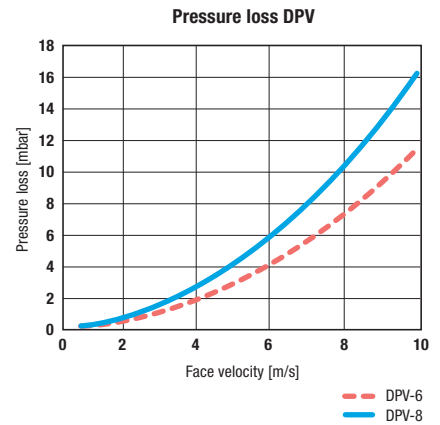
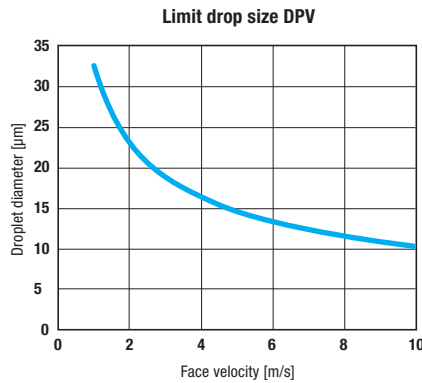
- 6 pass (DPV-6) or 8 pass (DPV-8) vane type separator
- Framed pack for installation as internal
- Single stage separator in combination with a pressure vessel

Material certificates can be delivered for most materials upon request. Pressure loss, limit drop sizes and fractional efficiency curves for given operating data are delivered upon request.

Order information

Specific shapes and dimensions available on request.

For more technical information, please contact your nearest Munters office.



Vertical vessel with a Munters IDM inlet distributor and a DPV-6 vane type separator.



Munters, HumiCool Division, Isafjordsgatan 1, P.O. Box 1150, SE-164 26 Kista, Sweden. Phone +46 8 626 63 00, Fax +46 8 754 56 66.

Munters Euroform GmbH, Philippsstrasse 8, P.O. Box 101109, DE-52011 Aachen, Germany. Phone +49 241 89 00 0, Fax +49 241 89 00 5199, mist-elimination@munters.com

Munters Corporation, 210 Sixth Street SE, P.O. Box 6428, 33911 Fort Myers FL, USA. Phone +1 239 936 1555, Fax +1 239 936 8858, usfmucs_me@americas.munters.com

www.munters.com

Australia Munters Pty Limited, Phone +61 2 6025 6422, **Austria** via Munters Euroform GmbH, **Brazil** Munters Brasil Industria e Comercio Ltda, Phone +55 41 3317 5050, **China** Munters Air Treatment Equipment (Beijing) Co. Ltd., Phone +86 10 80 481 121, **Denmark** via sales organization in Sweden, **Finland** Munters Oy, Phone +358 9 83 86 030, **France** Munters France S.A., Phone +33 1 34 11 57 50, **Germany** Munters Euroform GmbH, Phone +49 241 89 00 0, **India** via Munters Euroform GmbH, **Indonesia** Munters, Phone +62 21 9105 4467, **Italy** via Munters Euroform GmbH, **Japan** via Munters Euroform GmbH, **Kingdom of Saudi Arabia and Middle East** via Munters Euroform GmbH, **Korea** via Munters Euroform GmbH, **Mexico** Munters Mexico, Phone +52 818 262 54 00, **Norway** via sales organization in Sweden, **Russia** Munters Europe AB, Phone +7 812 448 5740, **South Africa and Sub-Sahara Countries** Munters (Pty) Ltd., Phone +27 11 997 2000, **Spain** via Munters Euroform GmbH, Office Barcelona, Phone +34 93 688 1017, **Sweden** Munters Europe AB, Phone +46 8 626 63 00, **Thailand** Munters Co. Ltd., Phone +66 2 645 2708 12, **United Kingdom** Munters Ltd., Phone +44 845 644 3980, **USA** Munters Corporation Fort Myers, Phone +1 239 936 1555, Munters Corporation **Export & Other countries** Munters Euroform GmbH, Phone +49 241 89 00 0.

Your closest distributor